

Sink Uragano

Kitchen Sinks

Code: 1555 600



DETAILS

Edge/Installation Type Standard (8 mm Edge)

Finish Foster brushed

Material AISI 304 stainless steel

Texture Foster brushed

Base 100 cm

Dimensions 970 x 500 mm

Standard fittings Fixing hooks, gasket, drain, overflow and siphon, boxed packing

Mixer holes 1 standard hole - 2nd hole on request

Built-in hole 950 x 480 mm

Drainer No

Width 97 cm

Bowl dimension 910x440mm

Number of bowls 1 bowl

Waste fitting 3,5" drain

FEATURES

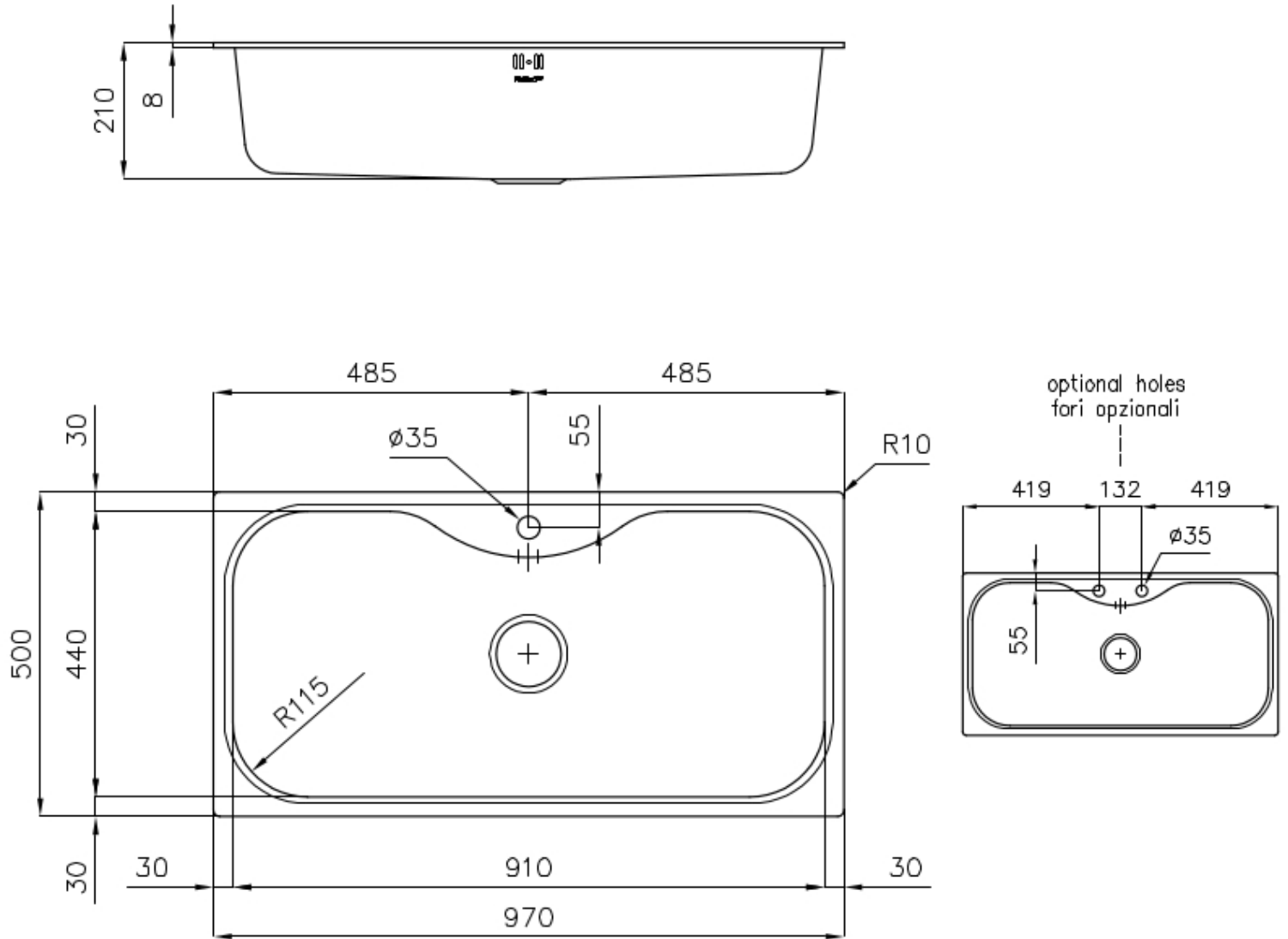
Basket 3,5" waste fitting The drain is equipped with a large 3.5" drain, with the practical basket cap that prevents the discharge of solid parts.

Deep bowls This bowls reach an important depth, over 20 cm, thanks to the advanced production technology, that can be offer great capieny and practicity in all the washing operations.

High thickness 1mm thick steel. A significant thickness, which guarantees the maximum sturdiness and durability.

Sliding brackets

TECHNICAL DATA



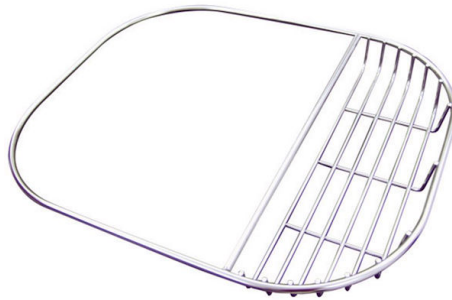
GALLERY



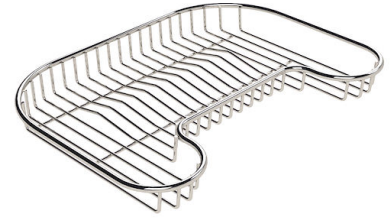
OPTIONAL ACCESSORIES



Iroko-wood twin chopping board
8644 003



Stainless steel bowl-holder ring
8100 112



Stainless steel plate rack
8100 111



Stainless steel plate rack only usable in combination with the accessories 8644 003
8100 154

* only in combination with the accessory 8644 003



Vaschetta bianca
8152 100

* only in combination with the accessory 8100 112



White colander
8151 100



Glass chopping board
8633 300



Iroko-wood chopping board
8659 111

RECOMMENDED PAIRINGS



Mixer Tap KS Plus
8522 000



Mixer Tap Magnum
8484 000